



CARATTERISTICHE TECNICHE TECHNICAL FEATURES

MATERIALI IMPIEGATI / RAW MATERIALS	PP + anti-UV
PRESSIONE DI ESERCIZIO / WORKING PRESSURE	MAX 10 bar (20°C)
TEMPERATURA MAX / MAXIMUM TEMPERATURE	80°C
FILETTATURE / THREAD	UNI EN 10226-1 (ex ISO 7-1)
UNITA' DI MISURA / UNITS OF MEASUREMENTS	mm

I dati del presente catalogo, hanno titolo puramente indicativo e non sono vincolanti. La Plast Project S.r.l. si riserva il diritto, anche senza preavviso, di effettuare modifiche ai prodotti, ai fini del loro miglioramento tecnico.

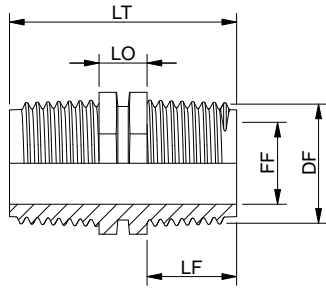
The specifications in this document are to be considered merely informative and are not binding. Plast Project S.r.l. reserves its right to carry out all the modifications which are considered necessary in accordance with technical improvement.

Raccorderia filettata in polipropilene PN10

PN10 PP threaded fittings

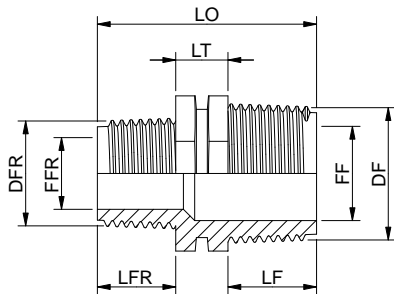


7510



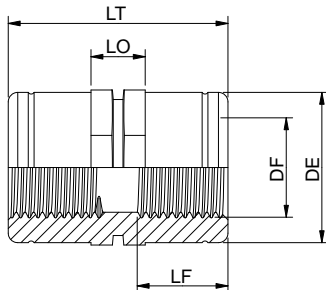
CODE	Ø	LT	FF	DF	LF	LO
7510.000C	½"	38.0	13.7	½"	15.0	8.0
7510.000D	¾"	43.8	18.0	¾"	17.0	10.0
7510.000E	1"	50.9	24.0	1"	19.8	11.3
7510.000F	1¼"	55.9	31.4	1¼"	22.0	12.0
7510.000G	1½"	60.7	38.0	1½"	24.0	12.7
7510.000H	2"	68.8	48.6	2"	27.0	14.7
7510.000I	2½"	74.7	62.7	2½"	30.0	14.7
7510.000L	3"					
7510.000N	4"					

7515



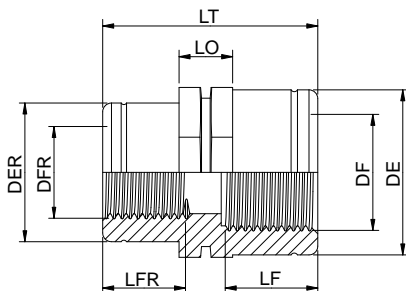
CODE	Ø	LT	FF	DF	LF	FFR	DFR	LFR	LO
7515.000DC	¾"-1½"	41.9	18.0	¾"	17.0	12.9	½"	15.0	10.0
7515.000EC	1"-1½"	46.1	24.0	1"	19.8	13.7	½"	15.0	11.3
7515.000ED	1"-¾"	48.0	24.0	1"	19.8	18.0	¾"	17.0	11.3
7515.000FD	1¼"-¾"	50.9	31.4	1¼"	22.0	18.0	¾"	17.0	12.0
7515.000FE	1¼"-1"	53.7	31.4	1¼"	22.0	24.0	1"	19.8	12.0
7515.000GE	1½"-1"								
7515.000GF	1½"-1¼"	58.7	38.0	1½"	24.0	30.8	1¼"	22.0	12.7
7515.000HD	2"-¾"								
7515.000HF	2"-1¼"	63.7	48.6	2"	27.0	30.8	1¼"	22.0	14.7
7515.000HG	2"-1½"	65.8	48.6	2"	27.0	38.0	1½"	24.0	14.7
7515.000IH	2½"-2"	71.7	62.7	2½"	30.0	48.6	2"	27.0	14.7
7515.000LH	3"-2"								
7515.000LI	3"-2½"								
7515.000NL	4"-3"								

7520



CODE	Ø	LT	DF	DE	LF	LO
7520.000C	½"	38.0	½"	29.8	17.1	8.8
7520.000D	¾"	41.9	¾"	36.1	19.0	9.8
7520.000E	1"	45.9	1"	43.9	21.0	12.3
7520.000F	1¼"	54.9	1¼"	54.3	25.0	13.5
7520.000G	1½"	54.9	1½"	62.1	25.0	13.5
7520.000H	2"	64.9	2"	76.0	30.0	14.7
7520.000I	2½"					
7520.000L	3"					
7520.000N	4"					

7525



CODE	Ø	LT	DF	DE	LF	DFR	DER	LFR	LO
7525.000DC	¾"-1½"	40.0	¾"	36.1	19.0	½"	29.8	17.1	9.8
7525.000EC	1"-1½"	41.9	1"	43.9	21.0	½"	29.8	17.1	12.3
7525.000ED	1"-¾"	43.9	1"	43.9	21.0	¾"	36.1	19.0	12.3
7525.000FE	1¼"-1"	51.4	1¼"	51.4	25.0	1"	43.9	21.5	13.5
7525.000GE	1½"-1"	51.4	1½"	62.1	25.0	1"	43.9	21.5	13.5
7525.000GF	1½"-1¼"	54.9	1½"	62.1	25.0	1¼"	54.3	25.0	13.5
7525.000HE	2"-1"	56.4	2"	76.0	30.0	1"	43.9	21.5	14.7
7525.000HF	2"-1¼"	59.9	2"	76.0	30.0	1¼"	54.3	25.0	14.7
7525.000HG	2"-1½"	59.9	2"	76.0	30.0	1½"	62.1	25.0	14.7
7525.000IH	2½"-2"								
7525.000LH	3"-2"								
7525.000LI	3"-2½"								
7525.000NL	4"-3"								

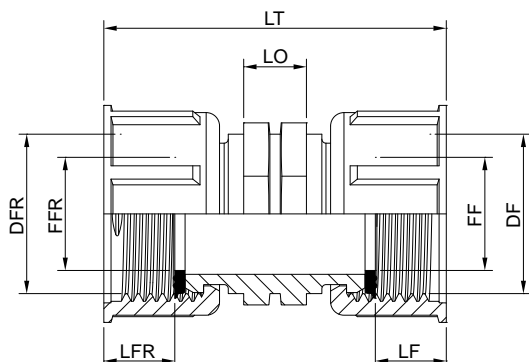
Raccorderia filettata in polipropilene PN10

PN10 PP threaded fittings



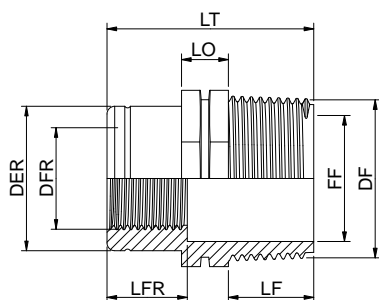
7527

CODE	Ø	LT	DF	FF	LF	DFR	FFR	LFR	LO
7527.000D	¾"-¾"	57.8	¾"	15.7	11.5	¾"	15.7	11.5	10.0
7527.000E	¾"-1"	62.5	1"	21.6	13.5	¾"	15.7	11.5	12.0
7527.000E	1"-1"	65.3	1"	21.6	13.5	1"	21.6	13.5	12.0



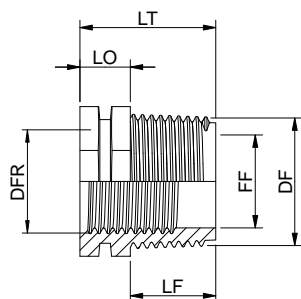
7530

CODE	Ø	LT	FF	DF	LF	DFR	DER	LFR	LO
7530.00CA	½"-¼"	36.5	13.8	½"	14.9	¼"	20.0	15.0	8.0
7530.00DA	¾"-¼"	40.5	18.0	¾"	17.0	¼"	20.0	15.0	10.0
7530.00DC	¾"-½"	42.0	18.0	¾"	17.0	½"	29.8	17.1	10.0
7530.00EC	1"-½"	46.0	24.0	1"	19.0	½"	29.8	17.1	12.0
7530.00ED	1"-¾"	48.0	24.0	1"	19.0	¾"	36.1	19.0	12.0
7530.00FC	1"-¼"-½"	48.9	31.4	1"¼"	21.9	½"	29.8	17.1	12.0
7530.00FD	1"¼"-¾"	50.9	31.4	1"¼"	21.9	¾"	36.1	19.0	12.0
7530.00FE	1"¼"-1"	52.9	31.4	1"¼"	21.9	1"	43.9	21.0	12.0
7530.00GE	1"½"-1"	54.3	38.0	1"½"	22.0	1"	43.9	21.5	13.3
7530.00GF	1"½"-1"¼"	57.8	38.0	1"½"	22.0	1"¼"	54.3	25.0	13.3
7530.00HE	2"-1"	60.7	48.6	2"	27.0	1"	43.9	21.5	14.7
7530.00HF	2"-1"¼"	64.3	48.6	2"	27.0	1"¼"	54.3	25.0	14.7
7530.00HG	2"-1"½"	64.3	48.6	2"	27.0	1"½"	62.1	25.0	14.7



7535

CODE	Ø	LT	FF	DF	LF	DFR	LO
7535.00DC	¾"-½"	27.0	18.0	¾"	17.0	½"	10.0
7535.00EC	1"-½"	30.9	24.0	1"	19.0	½"	12.0
7535.00ED	1"-¾"	30.9	24.0	1"	19.0	¾"	12.0
7535.00FC	1"¼"-½"	33.8	31.4	1"¼"	21.9	½"	12.0
7535.00FD	1"¼"-¾"	33.8	31.4	1"¼"	21.9	¾"	12.0
7535.00FE	1"¼"-1"	33.8	31.4	1"¼"	21.9	1"	12.0
7535.00GC	1"½"-½"	35.3	38.0	1"½"	22.0	½"	13.3
7535.00GD	1"½"-¾"	35.3	38.0	1"½"	22.0	¾"	13.3
7535.00GE	1"½"-1"	35.3	38.0	1"½"	22.0	1"	13.3
7535.00GF	1"½"-1"¼"	35.3	38.0	1"½"	22.0	1"¼"	13.3
7535.00HC	2"-½"	41.7	48.6	2"	27.0	½"	14.7
7535.00HD	2"-¾"	41.7	48.6	2"	27.0	¾"	14.7
7535.00HE	2"-1"	41.7	48.6	2"	27.0	1"	14.7
7535.00HF	2"-1"¼"	41.7	48.6	2"	27.0	1"¼"	14.7
7535.00HG	2"-1"½"	41.7	48.6	2"	27.0	1"½"	14.7
7535.00IE	2"½"-1"	44.7	62.7	2"½"	30.0	1"	14.7
7535.00IF	2"½"-1"¼"	44.7	62.7	2"½"	30.0	1"¼"	14.7
7535.00IG	2"½"-1"½"	44.7	62.7	2"½"	30.0	1"½"	14.7
7535.00IH	2"½"-2"	44.7	62.7	2"½"	30.0	2"	14.7
7535.00LE	3"-1"						
7535.00LF	3"-1"¼"						
7535.00LG	3"-1"½"						
7535.00LH	3"-2"						
7535.00LI	3"-2"½"						
7535.00NH	4"-2"						
7535.00NL	4"-3"						

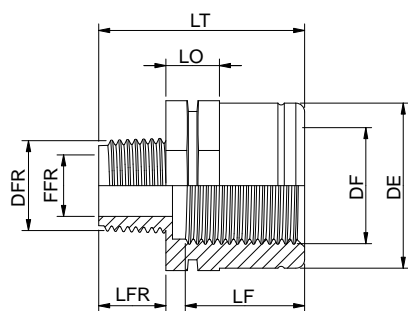


Raccorderia filettata in polipropilene PN10

PN10 PP threaded fittings

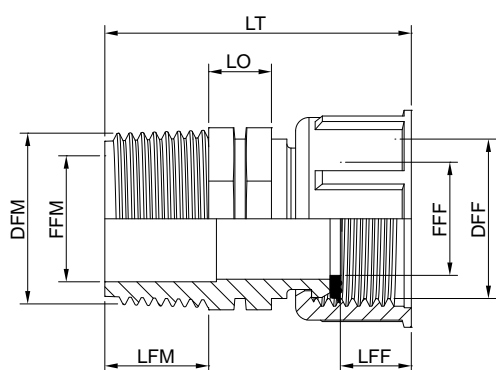


7540



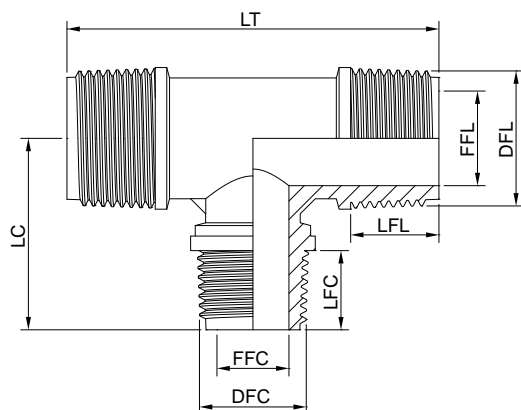
CODE	Ø	LT	DF	DE	LF	FFR	DFR	LFR	LO
7540.00CD	1/2"-3/4"	39.9	3/4"	36.1	19.0	13.7	1/2"	15.0	9.8
7540.00CE	1/2"-1"	41.8	1"	43.9	21.0	13.7	1/2"	15.0	12.3
7540.00DE	3/4"-1"	43.8	1"	43.9	21.0	18.0	3/4"	17.0	12.3
7540.00EF	1"-1 1/4"	51.3	1 1/4"	54.3	25.0	24.0	1"	19.0	13.5
7540.00EG	1"-1 1/2"	51.3	1 1/2"	62.1	25.0	24.0	1"	19.0	13.5
7540.00EH	1"-2"	56.3	2"	76.0	30.0	24.0	1"	19.0	14.7
7540.00FG	1 1/4"-1 1/2"	54.3	1 1/2"	62.1	25.0	31.4	1 1/4"	22.0	13.5
7540.00FH	1 1/4"-2"	59.3	2"	76.0	30.0	31.4	1 1/4"	22.0	14.7
7540.00GH	1 1/2"-2"	59.3	2"	76.0	30.0	38.0	1 1/2"	22.0	14.7
7540.00HI	2"-2 1/2"								
7540.00IL	2 1/2"-3"								
7540.00LN	3"-4"								

7545



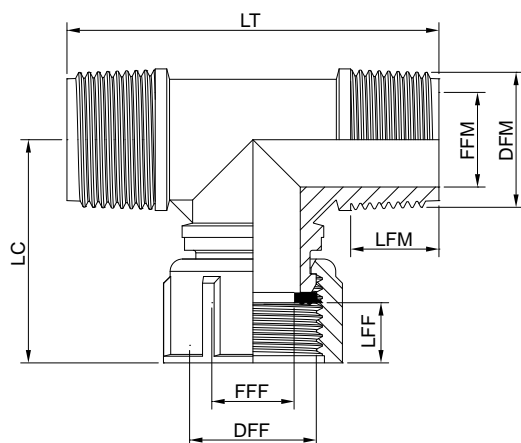
CODE	Ø	LT	DFD	FFF	LFF	DFM	FFM	LFM	LO
7545.00CD	1/2"-3/4"	48.9	3/4"	15.7	11.5	1/2"	13.8	15.0	10.0
7545.00DD	3/4"-3/4"	50.9	3/4"	15.7	11.5	3/4"	18.0	17.0	10.0
7545.00DE	3/4"-1"	55.6	1"	21.6	13.5	3/4"	18.0	17.0	12.0
7545.00EE	1"-1"	58.4	1"	21.6	13.5	1"	24.0	19.8	12.0
7545.00FE	1 1/4"-1"	60.6	1"	21.6	13.5	1 1/4"	31.4	22.0	12.0

7610



CODE	Ø	LT	DFL	FFL	LFL	DFC	FFC	LFC	LC
7610.000C	1/2"	61.3	1/2"	13.7	15.0	1/2"	13.7	15.0	33.5
7610.000D	3/4"	70.9	3/4"	18.0	16.8	3/4"	18.0	16.8	38.6
7610.000E	1"	93.9	1"	24.0	19.3	1"	24.0	19.3	46.9
7610.000F	1 1/4"	109.8	1 1/4"	32.1	22.1	1 1/4"	32.1	22.1	54.9
7610.00CD	1/2"-3/4"-1/2"	61.3	1/2"	13.7	15.0	3/4"	18.0	17.0	38.6
7610.00DC	3/4"-1/2"-3/4"	70.9	3/4"	18.0	17.0	1/2"	13.7	15.1	36.5
7610.00DE	3/4"-1"-3/4"	93.8	3/4"	18.0	17.0	1"	24.0	19.3	44.3

7612



CODE	Ø	LT	DFM	FFM	LFM	DFD	FFD	LFD	LC
7612.00CD	1/2"-3/4"-1/2"	61.3	1/2"	13.7	15.0	3/4"	15.7	11.5	42.5
7612.00DD	3/4"-3/4"-3/4"	70.9	3/4"	18.0	16.8	3/4"	15.7	11.5	42.5
7612.00DE	3/4"-1"-3/4"	70.9	3/4"	18.0	16.8	1"	21.6	13.5	45.3

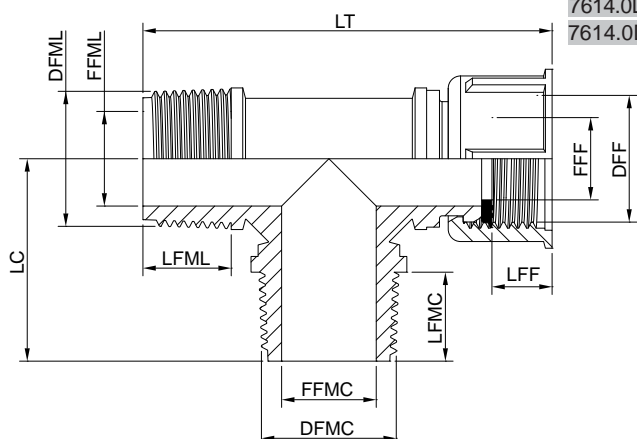
Raccorderia filettata in polipropilene PN10

PN10 PP threaded fittings



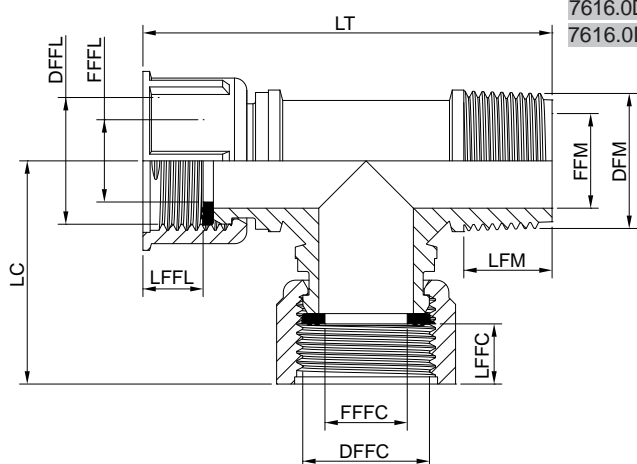
7614

CODE	Ø	LT	DF	FF	LFF	DFMC	FFMC	LFMC	DFML	FFML	LFML	LC
7614.0DDD	3/4"-3/4"-3/4"	78.0	3/4"	15.7	11.5	3/4"	18.0	16.8	3/4"	18.0	16.8	38.6
7614.0DED	3/4"-1"-3/4"	78.0	3/4"	15.7	11.5	1"	23.5	18.8	3/4"	18.0	16.8	40.6



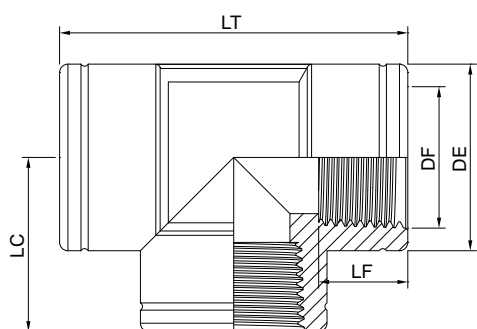
7616

CODE	Ø	LT	DFM	FFM	LFM	DFFC	FFFC	LFFC	DFFL	FFFL	LFFL	LC
7616.0DDD	3/4"-3/4"-3/4"	78.0	3/4"	15.7	11.5	3/4"	15.7	11.5	3/4"	18.0	16.8	42.5
7616.0DED	3/4"-1"-3/4"	78.0	3/4"	15.7	11.5	1"	21.6	13.5	3/4"	18.0	16.8	45.3



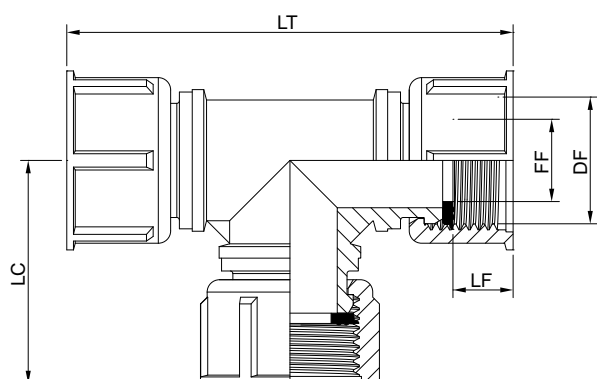
7620

CODE	Ø	LT	DF	DE	LF	LC
7620.000C	1/2"	60.0	1/2"	29.8	17.1	30.0
7620.000D	3/4"	70.0	3/4"	36.1	19.0	35.0
7620.000E	1"	81.9	1"	43.9	21.0	41.0
7620.000F	1 1/4"	100.0	1 1/4"	54.3	25.0	50.0
7620.000G	1 1/2"	110.0	1 1/2"	62.1	25.0	55.0
7620.000H	2"	129.9	2"	76.0	30.0	65.0
7620.000I	2 1/2"					
7620.000L	3"					
7620.000N	4"					



7622

CODE	Ø	LT	DF	FF	LF	LC
7622.000D	3/4"	85.1	3/4"	15.7	11.5	42.5

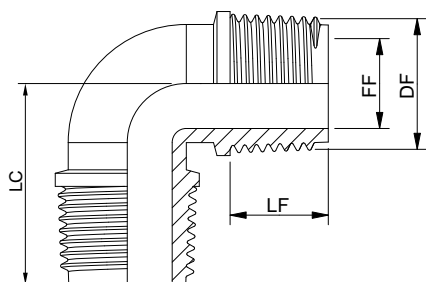


Raccorderia filettata in polipropilene PN10

PN10 PP threaded fittings

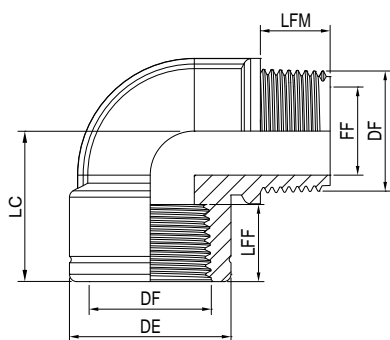


7710



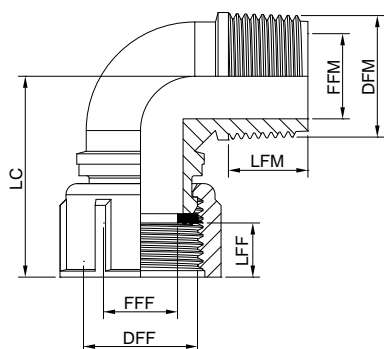
CODE	Ø	FF	DF	LF	LC
7710.000C	½"	13.7	½"	15.0	33.5
7710.000D	¾"	18.0	¾"	16.8	38.6
7710.000E	1"	24.0	1"	19.3	46.9
7710.000F	1 ¼"	32.1	1 ¼"	22.1	54.9
7710.000G	1 ½"				

7760



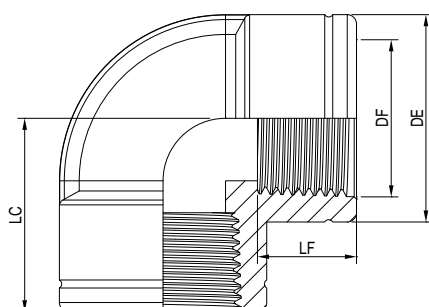
CODE	Ø	FF	DF	LFM	DE	LFF	LC
7760.000C	½"	13.9	½"	15.0	29.8	17.1	30.0
7760.000D	¾"	18.0	¾"	17.0	36.1	19.0	35.0
7760.000E	1"	24.0	1"	19.0	43.9	21.0	41.0
7760.000F	1 ¼"	31.4	1 ¼"	22.0	54.3	25.0	50.0

7762



CODE	Ø	DFF	FFF	LFF	DFM	FFM	LFM	LC
7762.000CD	½"-¾"	¾"	15.7	11.5	½"	13.7	15.0	39.6
7762.000DD	¾"-1"	¾"	15.7	11.5	¾"	18.0	16.8	42.5
7762.000DE	¾"-1"	1"	21.6	13.5	¾"	18.0	16.8	45.3

7770



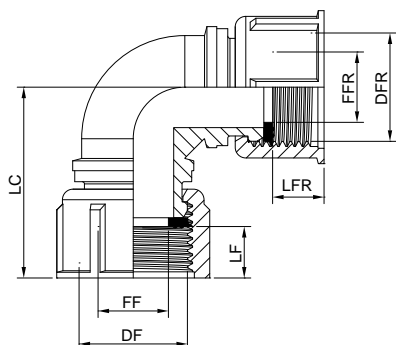
CODE	Ø	DE	DF	LF	LC
7770.000C	½"	29.8	½"	17.1	30.0
7770.000D	¾"	36.1	¾"	19.0	35.0
7770.000E	1"	43.9	1"	21.0	41.0
7770.000F	1 ¼"	54.3	1 ¼"	25.0	50.0
7770.000G	1 ½"	62.1	1 ½"	25.0	55.0
7770.000H	2"	76.0	2"	30.0	65.0
7770.000I	2 ½"				
7770.000L	3"				
7770.000N	4"				

Raccorderia filettata in polipropilene PN10

PN10 PP threaded fittings

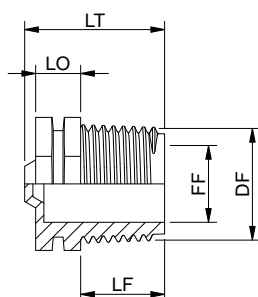


7772



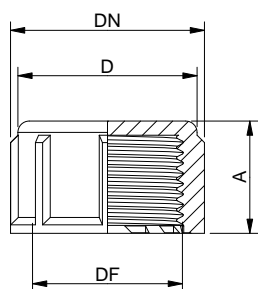
CODE	Ø	DF	FF	LF	DFR	FFR	LFR	LC
7772.000D	¾"-¾"	¾"	15.7	11.5	¾"	15.7	11.5	42.5
7772.000DE	¾"-1"	1"	21.6	13.5	¾"	15.7	11.5	45.3

7810



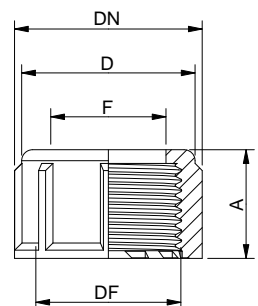
CODE	Ø	LT	FF	DF	LF	LO
7810.000C	½"	25.7	13.8	½"	14.9	8.0
7810.000D	¾"	29.9	18.0	¾"	17.0	10.0
7810.000E	1"	34.2	24.0	1"	19.8	11.3
7810.000F	1¼"	37.2	31.4	1¼"	22.0	12.0
7810.000G	1½"	42.0	37.2	1½"	24.0	12.7
7810.000H	2"	47.2	48.0	2"	27.0	14.7
7810.000I	2½"	51.0	62.7	2½"	30.0	14.7
7810.000L	3"					
7810.000N	4"					

7920



CODE	Ø	DN	D	DF	A
7920.000C	½"	28.0	25.7	½"	17.5
7920.000D	¾"	34.1	31.6	¾"	19.8
7920.000E	1"	41.4	38.6	1"	22.1
7920.000F	1¼"	51.1	48.4	1¼"	28.1
7920.000G	1½"	57.4	54.7	1½"	30.9
7920.000H	2"	69.8	66.8	2"	34.7
7920.000I	2½"				
7920.000L	3"				
7920.000N	4"				

7925



CODE	Ø	DN	D	F	DF	A
7925.000C	½"	28.0	25.7	16.4	½"	17.5
7925.000D	¾"	34.1	31.6	20.6	¾"	19.8
7925.000E	1"	41.4	38.6	26.0	1"	22.0