



CARATTERISTICHE TECNICHE TECHNICAL FEATURES

MATERIALI IMPIEGATI / RAW MATERIALS	ABS + anti-UV
PRESSIONE DI ESERCIZIO / WORKING PRESSURE	Ø16-20 PN6 - 20°C Ø25-40 PN4 - 20°C
TEMPERATURA MAX / MAXIMUM TEMPERATURE	80°C
FILETTATURE / THREAD	BSPT

I dati del presente catalogo, hanno titolo puramente indicativo e non sono vincolanti. La Plast Project S.r.l. si riserva il diritto, anche senza preavviso, di effettuare modifiche ai prodotti, ai fini del loro miglioramento tecnico.

The specifications in this document are to be considered merely informative and are not binding. Plast Project S.r.l. reserves its right to carry out all the modifications which are considered necessary in accordance with technical improvement.

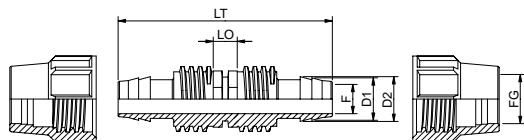
Raccorderia con ghiera per tubo in PE BD PN4-PN6

PN4-PN6 LD PE pipe quickjoins



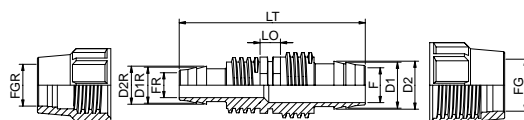
6510

CODE	Ø	LT	F	D1	D2	LO	FG
6510.0160	16-16	73.3	10.0	14.2	15.0	8.0	16.7
6510.0200	20-20	76.7	14.0	18.3	19.1	8.0	20.7
6510.0250	25-25	82.7	18.3	23.1	23.9	10.0	25.7
6510.0320	32-32	93.2	24.4	29.7	30.7	11.3	32.7
6510.0400	40-40	109.1	30.6	37.1	38.1	12.0	40.7



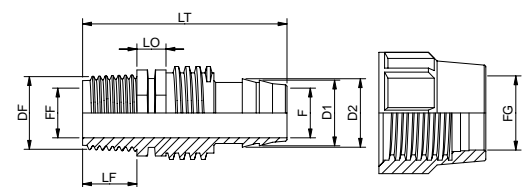
6515

CODE	Ø	LT	F	D1	D2	FR	D1R	D2R	LO	FG	FGR
6515.2016	20-16	75.0	14.0	18.3	19.1	10.0	14.2	15.0	8.0	20.7	16.7
6515.2516	25-16	79.2	18.3	23.1	23.9	10.0	14.2	15.0	10.0	25.7	16.7
6515.2520	25-20	80.7	18.3	23.1	23.9	14.0	18.3	19.1	10.0	25.7	20.7
6515.3225	32-25	88.7	24.4	29.7	30.7	18.3	23.1	23.9	11.3	32.7	25.7
6515.4025	40-25	97.2	30.6	37.1	38.1	18.3	23.1	23.9	12.0	40.7	25.7
6515.4032	40-32	101.2	30.6	37.1	38.1	24.4	29.7	30.7	12.0	40.7	32.7



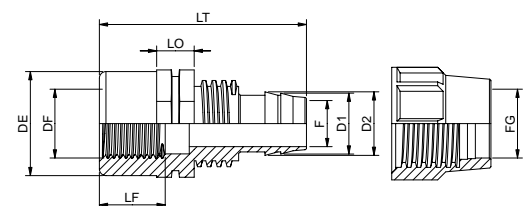
6520

CODE	Ø	LT	F	D1	D2	FF	DF	LF	LO	FG
6520.016C	16-½"	56.3	10.0	14.2	15.0	14.0	½"	15.3	8.0	16.7
6520.016D	16-¾"	59.9	10.0	14.2	15.0	18.3	¾"	17.3	10.0	16.7
6520.020C	20-½"	58.0	14.0	18.3	19.1	14.0	½"	15.3	8.0	20.7
6520.020D	20-¾"	61.7	14.0	18.3	19.1	18.3	¾"	17.3	10.0	20.7
6520.025C	25-½"	62.3	18.3	23.1	23.9	14.0	½"	15.3	10.0	25.7
6520.025D	25-¾"	63.8	18.3	23.1	23.9	18.3	¾"	17.3	10.0	25.7
6520.025E	25-1"	67.0	18.3	23.1	23.9	24.3	1"	19.2	12.0	25.7
6520.025F	25-1¼"	70.5	18.3	23.1	23.9	31.8	1¼"	22.0	12.0	25.7
6520.032D	32-¾"	69.2	24.4	29.7	30.7	18.3	¾"	17.3	11.3	32.7
6520.032E	32-1"	72.0	24.4	29.7	30.7	24.3	1"	19.2	12.0	32.7
6520.032F	32-1¼"	74.9	24.4	29.7	30.7	31.8	1¼"	22.0	12.0	32.7
6520.040D	40-¾"	77.8	30.6	37.1	38.1	18.3	¾"	17.3	12.0	40.7
6520.040E	40-1"	79.4	30.6	37.1	38.1	24.3	1"	19.2	12.0	40.7
6520.040F	40-1¼"	82.8	30.6	37.1	38.1	31.8	1¼"	22.0	12.0	40.7



6530

CODE	Ø	LT	F	D1	D2	DF	DE	LF	LO	FG
6530.016C	16*-½"	60.8	10.0	14.2	15.0	½"	31.3	18.0	11.2	16.7
6530.016D	16*-¾"	64.5	10.0	14.2	15.0	¾"	37.2	20.0	12.0	16.7
6530.020C	20*-½"	62.5	14.0	18.3	19.1	½"	31.3	18.0	11.2	20.7
6530.020D	20*-¾"	65.2	14.0	18.3	19.1	¾"	37.2	20.0	12.0	20.7
6530.025C	25-½"	64.7	18.3	23.1	23.9	½"	31.3	18.0	11.2	25.7
6530.025D	25-¾"	67.6	18.3	23.1	23.9	¾"	37.2	20.0	12.0	25.7
6530.025E	25-1"	71.3	18.3	23.1	23.9	1"	44.9	22.0	12.0	25.7
6530.032D	32-¾"	72.0	24.4	29.7	30.7	¾"	37.2	20.0	12.0	32.7
6530.032E	32-1"	75.8	24.4	29.7	30.7	1"	44.9	22.0	12.0	32.7
6530.040D	40-¾"	77.6	30.6	37.1	38.1	¾"	37.2	20.0	12.0	40.7
6530.040E	40-1"	83.7	30.6	37.1	38.1	1"	44.9	22.0	12.0	40.7



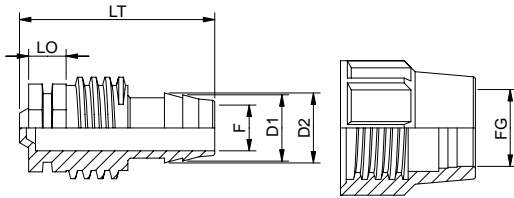
Raccorderia con ghiera per tubo in PE BD PN4-PN6

PN4-PN6 LD PE pipe quickjoins



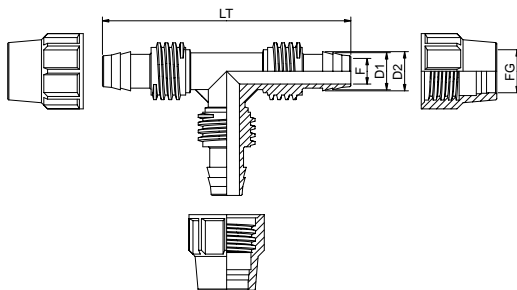
6560

CODE	Ø	LT	F	D1	D2	LO	FG
6560.0160	16	42.6	10.0	14.2	15.0	8.0	16.7
6560.0200	20	44.3	14.0	18.3	19.1	8.0	20.7
6560.0250	25	48.5	18.3	23.1	23.9	10.0	25.7
6560.0320	32	54.6	24.4	29.7	30.7	11.3	32.7
6560.0400	40	63.0	30.6	37.1	38.1	12.0	40.7



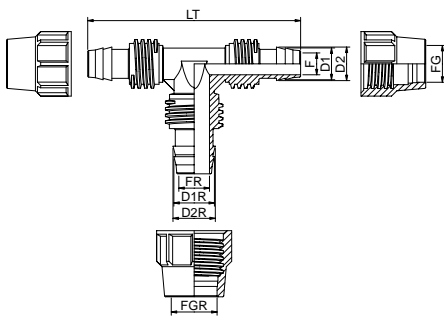
6610

CODE	Ø	LT	F	D1	D2	FG
6610.0160	16-16-16	96.0	10.0	14.2	15.0	16.7
6610.0200	20-20-20	99.2	14.0	18.3	19.1	20.7
6610.0250	25-25-25	109.0	18.3	23.1	23.9	25.7
6610.0320	32-32-32	129.0	24.4	29.7	30.7	32.7
6610.0400	40-40-40	152.0	30.6	37.1	38.1	40.7



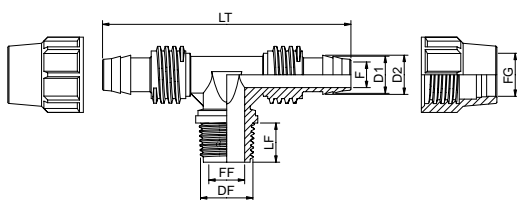
6615

CODE	Ø	LT	F	D1	D2	FR	D1R	D2R	FG	FGR
6615.1620	20-16-20	99.2	14.0	18.3	19.1	10.0	14.2	15.0	20.7	16.7
6615.1625	25-16-25	109.0	18.3	23.1	23.9	10.0	14.2	15.0	25.7	16.7
6615.2016	16-20-16	96.0	10.0	14.2	15.0	14.0	18.3	19.1	16.7	20.7
6615.2025	25-20-25	109.0	18.3	23.1	23.9	14.0	18.3	19.1	25.7	20.7
6615.2516	16-25-16	96.0	10.0	14.2	15.0	18.3	23.1	23.9	16.7	25.7
6615.2520	20-25-20	99.2	14.0	18.3	19.1	18.3	23.1	23.9	20.7	25.7
6615.2532	32-25-32	129.0	24.4	29.7	30.7	18.3	23.1	23.9	32.7	25.7
6615.3225	25-32-25	121.2	18.3	23.1	23.9	24.4	29.7	30.7	25.7	32.7
6615.3240	40-32-40	152.0	30.6	37.1	38.1	24.4	29.7	30.7	40.7	32.7
6615.4032	32-40-32	129.0	24.4	29.7	30.7	30.6	37.1	38.1	32.7	40.7



6620

CODE	Ø	LT	F	D1	D2	FF	DF	LF	FG
6620.016C	16-1/2"-16	96.0	10.0	14.2	15.0	14.0	1/2"	15.3	16.7
6620.016D	16-3/4"-16	96.0	10.0	14.2	15.0	18.3	3/4"	17.3	16.7
6620.020C	20-1/2"-20	99.2	14.0	18.3	19.1	14.0	1/2"	15.3	20.7
6620.020D	20-3/4"-20	99.2	14.0	18.3	19.1	18.3	3/4"	17.3	20.7
6620.025C	25-1/2"-25	109.0	18.3	23.1	23.9	14.0	1/2"	15.3	25.7
6620.025D	25-3/4"-25	109.0	18.3	23.1	23.9	18.3	3/4"	17.3	25.7
6620.025E	25-1"-25	121.2	18.3	23.1	23.9	24.3	1"	19.2	25.7
6620.032D	32-3/4"-32	129.0	24.4	29.7	30.7	18.3	3/4"	17.3	32.7
6620.032E	32-1"-32	129.0	24.4	29.7	30.7	24.3	1"	19.2	32.7
6620.032F	32-1 1/4"-32	129.0	24.4	29.7	30.7	32.5	1 1/4"	22.0	32.7
6620.040E	40-1"-40	152.0	30.6	37.1	38.1	24.3	1"	19.2	40.7
6620.040F	40-1 1/4"-40	152.0	30.6	37.1	38.1	32.5	1 1/4"	22.0	40.7

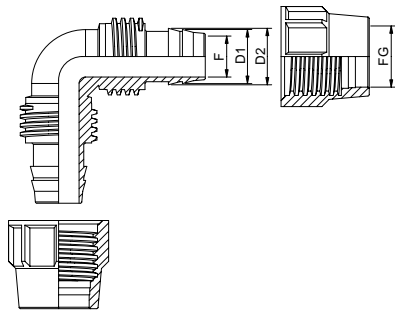


Raccorderia con ghiera per tubo in PE BD PN4-PN6

PN4-PN6 LD PE pipe quickjoins

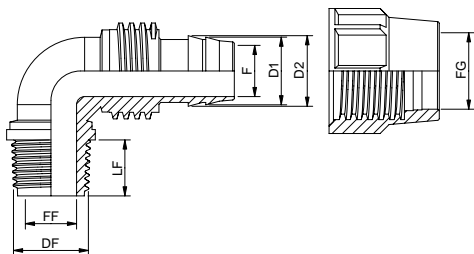


6710



CODE	Ø	F	D1	D2	FG
6710.0160	16-16	10.0	14.2	15.0	16.7
6710.0200	20-20	14.0	18.3	19.1	20.7
6710.0250	25-25	18.3	23.1	23.9	25.7
6710.0320	32-32	24.4	29.7	30.7	32.7
6710.0400	40-40	30.6	37.1	38.1	40.7

6720



CODE	Ø	F	D1	D2	FF	DF	LF	FG
6720.016C	16-1/2"	10.0	14.2	15.0	14.0	1/2"	15.3	16.7
6720.016D	16-3/4"	10.0	14.2	15.0	18.3	3/4"	17.3	16.7
6720.020C	20-1/2"	14.0	18.3	19.1	14.0	1/2"	15.3	20.7
6720.020D	20-3/4"	14.0	18.3	19.1	18.3	3/4"	17.3	20.7
6720.025D	25-3/4"	18.3	23.1	23.9	18.3	3/4"	17.3	25.7
6720.025E	25-1"	18.3	23.1	23.9	24.3	1"	19.2	25.7
6720.032D	32-3/4"	24.4	29.7	30.7	18.3	3/4"	17.3	32.7
6720.032E	32-1"	24.4	29.7	30.7	24.3	1"	19.2	32.7
6720.032F	32-1 1/4"	24.4	29.7	30.7	32.5	1 1/4"	22.0	32.7
6720.040E	40-1"	30.6	37.1	38.1	24.3	1"	19.2	40.7
6720.040F	40-1 1/4"	30.6	37.1	38.1	32.5	1 1/4"	22.0	40.7